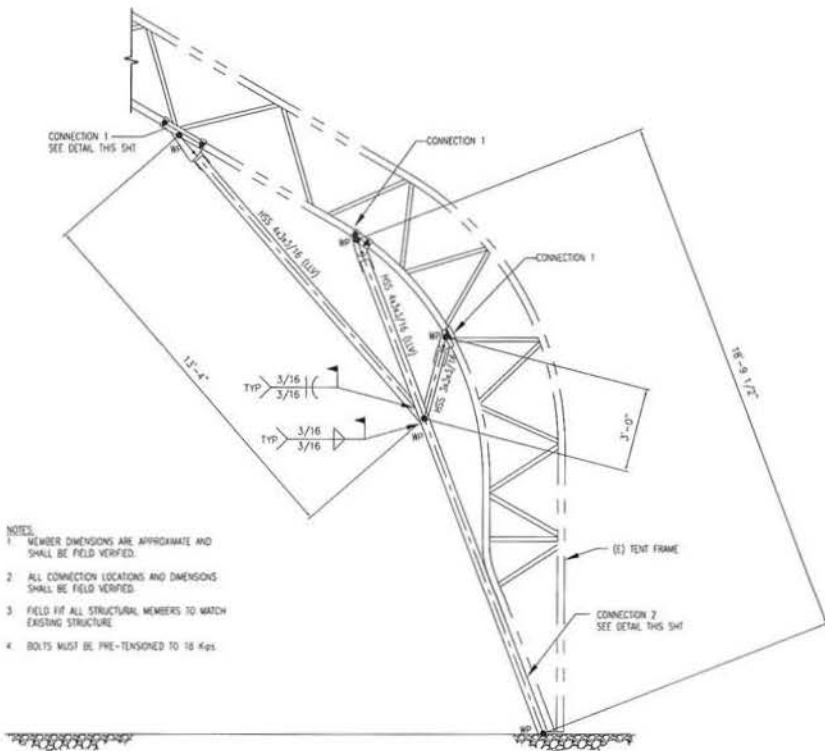
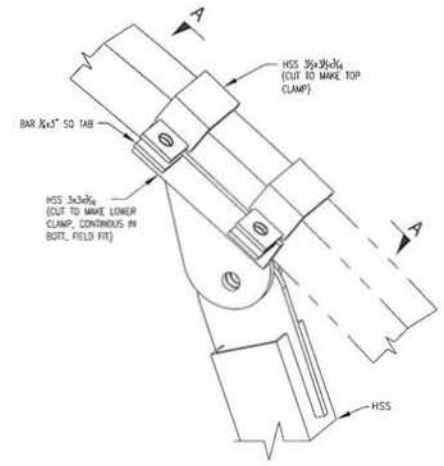


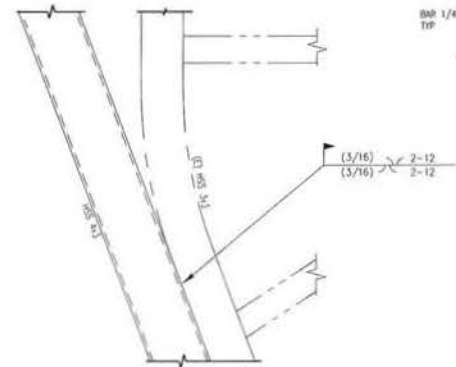
BILL OF MATERIAL		
ITEM NO	QTY.	DESCRIPTION
1	16	HSS 4x3x3/16x40'-0", ASTM A500, Gr. B
2	8	HSS 3x3x3/16x20'-0", ASTM A500, Gr. B
3	3	HSS 3 1/2x3 1/2 x1/4 x20'-0", ASTM A500, Gr. B
4	10	BR 3/2x3x10'-0", ASTM A36
5	200	3/8" BOLTS, ASTM A325



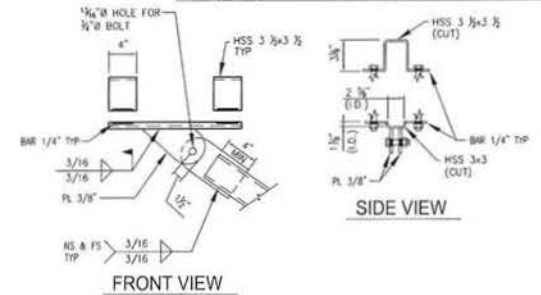
- NOTES:
- MEMBER DIMENSIONS ARE APPROXIMATE AND SHALL BE FIELD VERIFIED.
  - ALL CONNECTION LOCATIONS AND DIMENSIONS SHALL BE FIELD VERIFIED.
  - FIELD FIT ALL STRUCTURAL MEMBERS TO MATCH EXISTING STRUCTURE.
  - BOLTS MUST BE PRE-TENSIONED TO 16 Kps.



CONNECTION 1  
SCALE 3" = 1'-0"

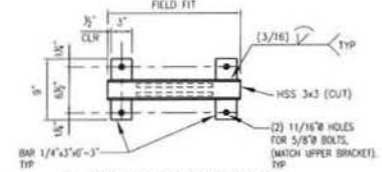


CONNECTION 2  
SCALE 3" = 1'-0"



FRONT VIEW

SIDE VIEW



LOWER BRACKET PLAN

SECTION A-A  
SCALE 1 1/2" = 1'-0"

BRACE ELEVATION @ COL. 2 THROUGH COL. 10, SIMMETRICAL ABOUT C OF TENT  
SCALE 1/2" = 1'-0"

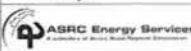
**ISSUED FOR APPROVAL**  
JUN 15 2011



**DSGN/CNST**

REFERENCE DRAWINGS	NO.	DATE	REVISION	BY	CHK	APPROV	NO.	DATE	REVISION	BY	CHK	APPROV
	D	2/7/11	ISSUED FOR CONSTRUCTION PER EPI 41311806	CA	BPJ							

ENGINEERING RECORD	DATE
OPN	CA 2/7/11
DSGN	BPJ 2/7/11
CHK	NEW 2/7/11
APP	
SCALE	



FILE NO. DRAWING	WON ORDER	DRAWING NUMBER	REV	SHEET
	EPT 41311806	SS-MOA-00039-001	0	001
	MODLT 9002			OF 1

MPU WELL PAD A  
CANVAS TENT BRACING ELEVATION & DETAILS  
WARM TENT STORAGE