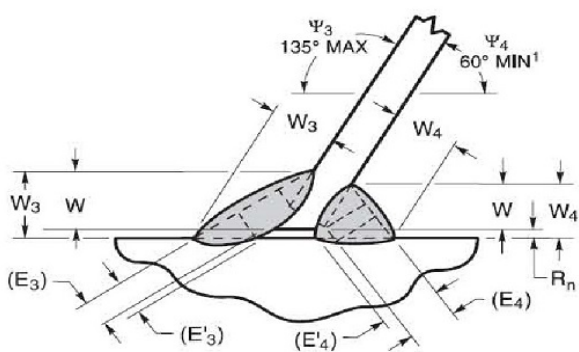


(C)



(D)

### SKewed T-JOINTS

General Note:  $(E)(n)$ ,  $(E')(n)$  = effective throats dependent on magnitude of root opening ( $R_n$ ) (see 3.3.1). Subscript (n) represents 1, 2, 3, or 4.