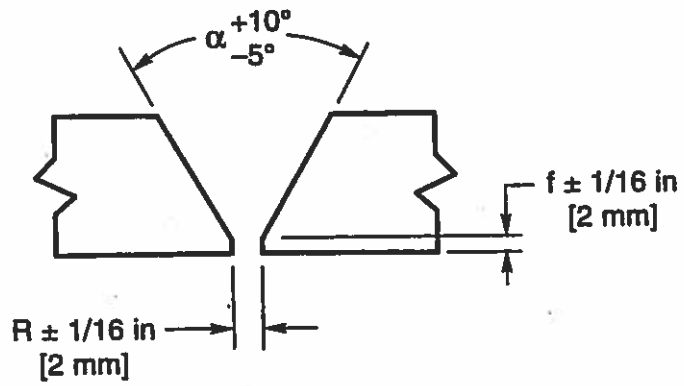
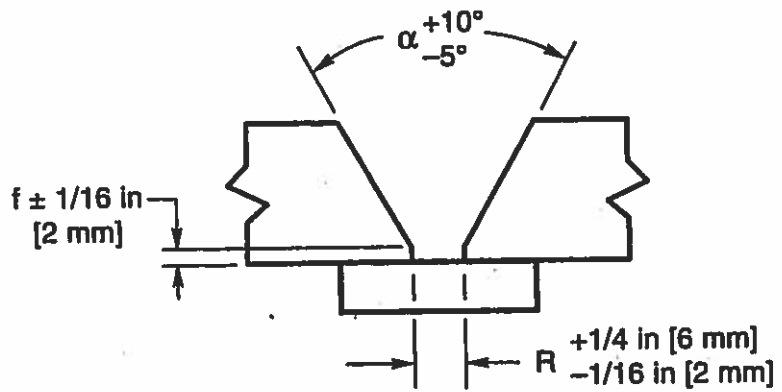


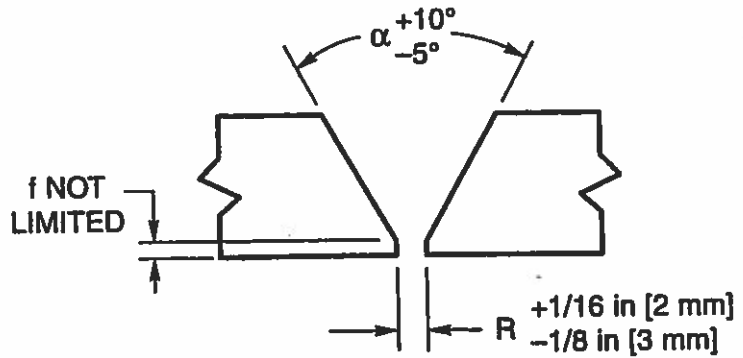
*POR*



**(A) GROOVE WELD WITHOUT BACKING—  
ROOT NOT BACKGOUGED**



**(B) GROOVE WELD WITH BACKING—  
ROOT NOT BACKGOUGED**



**(C) GROOVE WELD WITHOUT BACKING—  
ROOT BACKGOUGED**