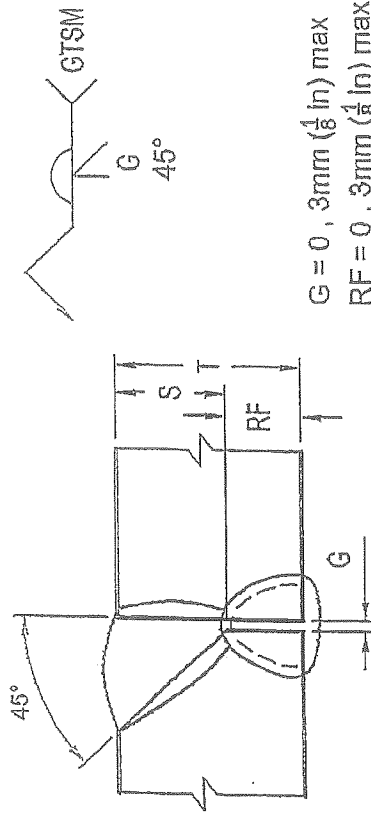


Joint Details/ Joint Design Used/ Sketch:



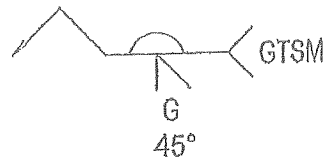
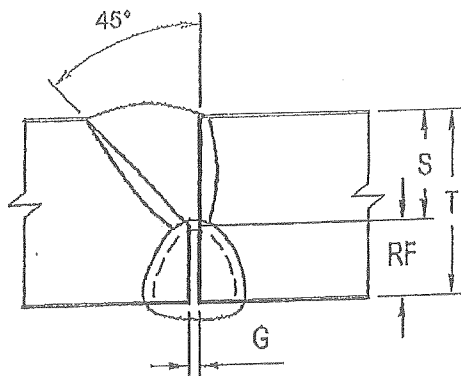
G = 0 , 3mm ( $\frac{1}{8}$  in) max  
RF = 0 , 3mm ( $\frac{1}{8}$  in) max

GTSM : Gouging To Sound Metal  
before welding from the other side

B-U4b-GF

Welding Procedure:

Joint Details/ Joint Design Used/ Sketch:



$G = 0,3\text{mm} (\frac{1}{8}\text{ in}) \text{ max}$   
 $RF = 0,3\text{mm} (\frac{1}{8}\text{ in}) \text{ max}$

B-U4b-GF

Welding Procedure:

GTSM : Gouging To Sound Metal  
before welding from the other side